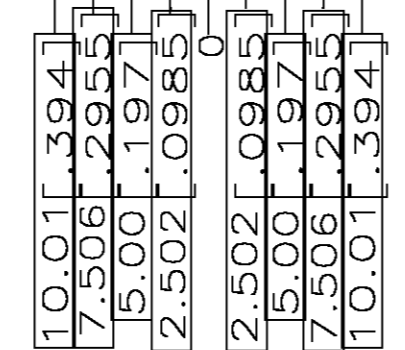
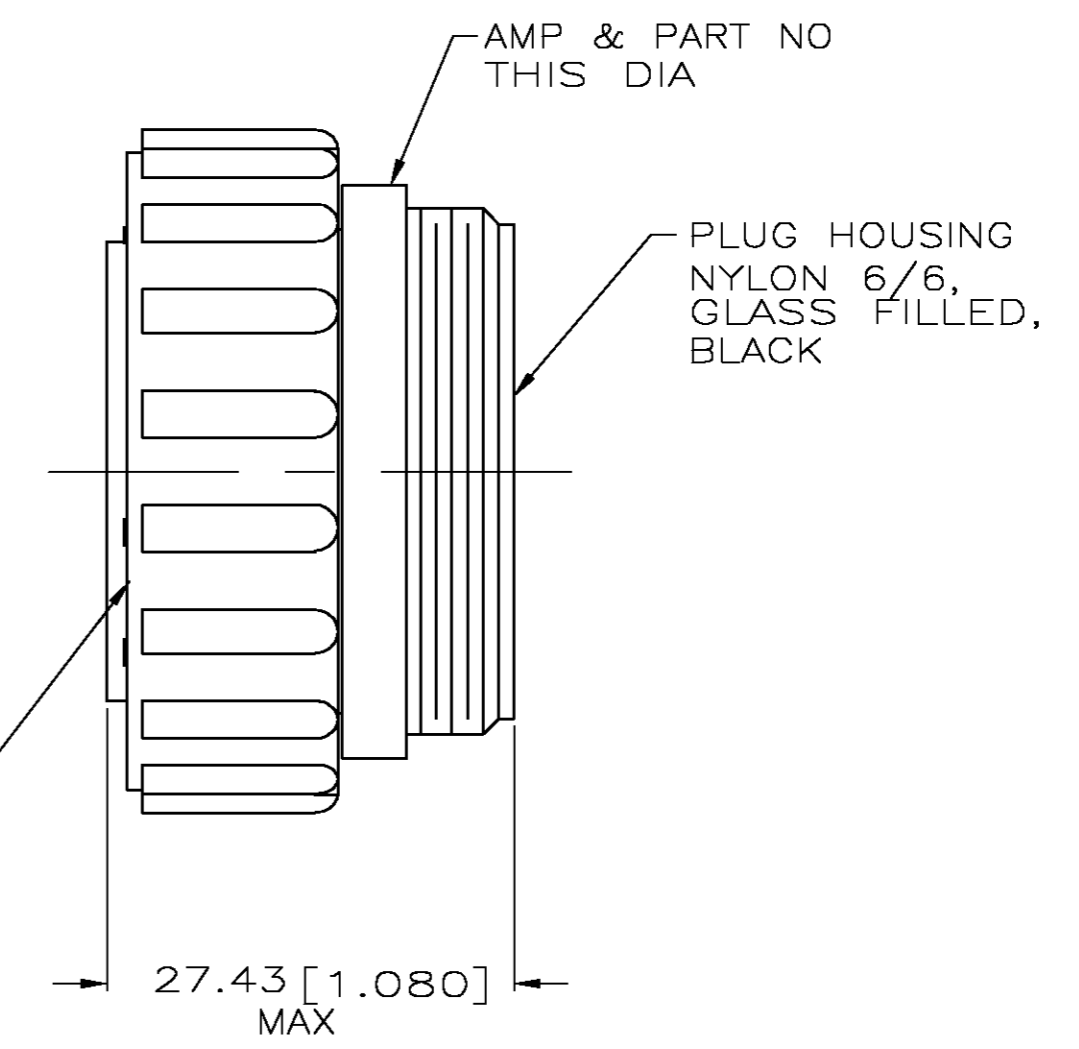
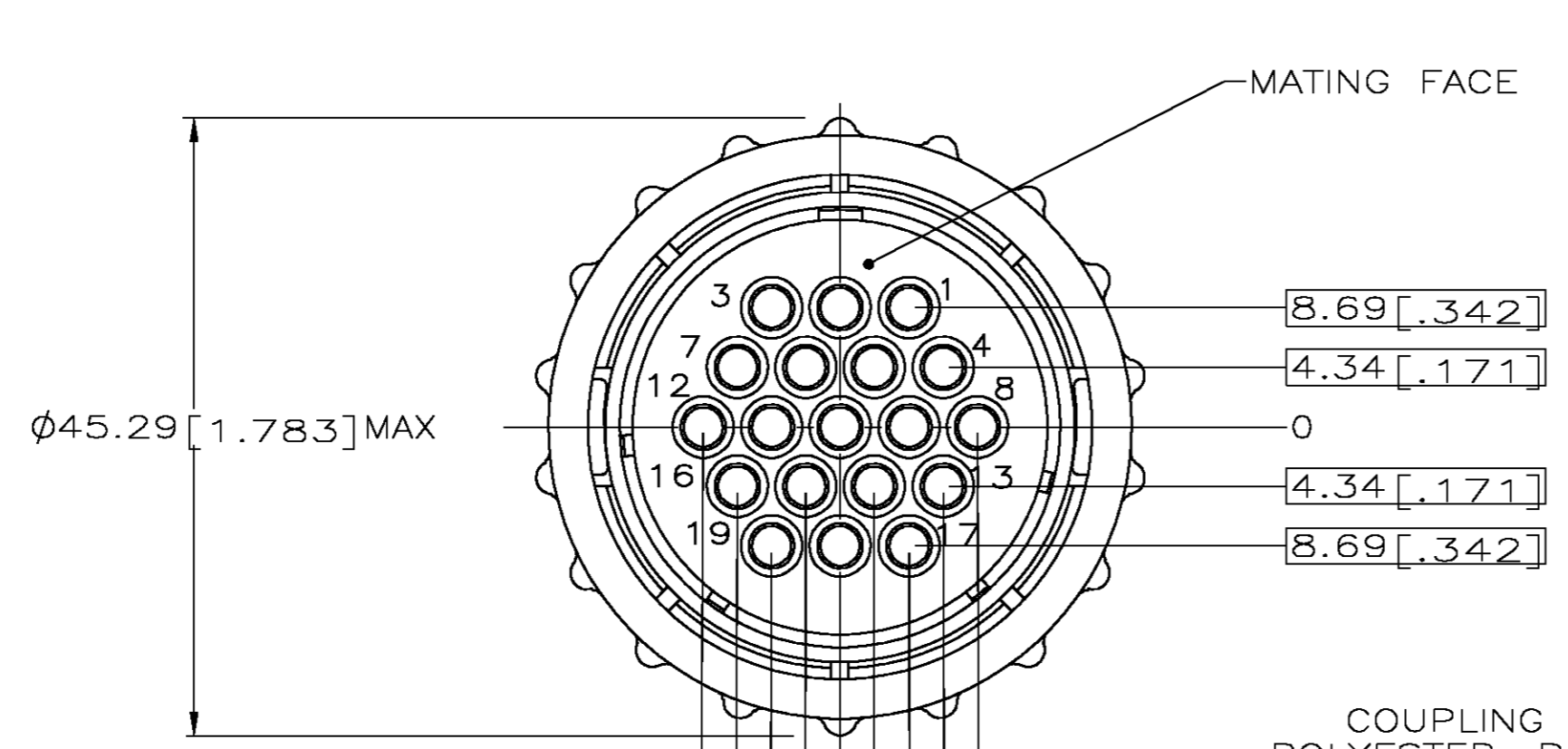
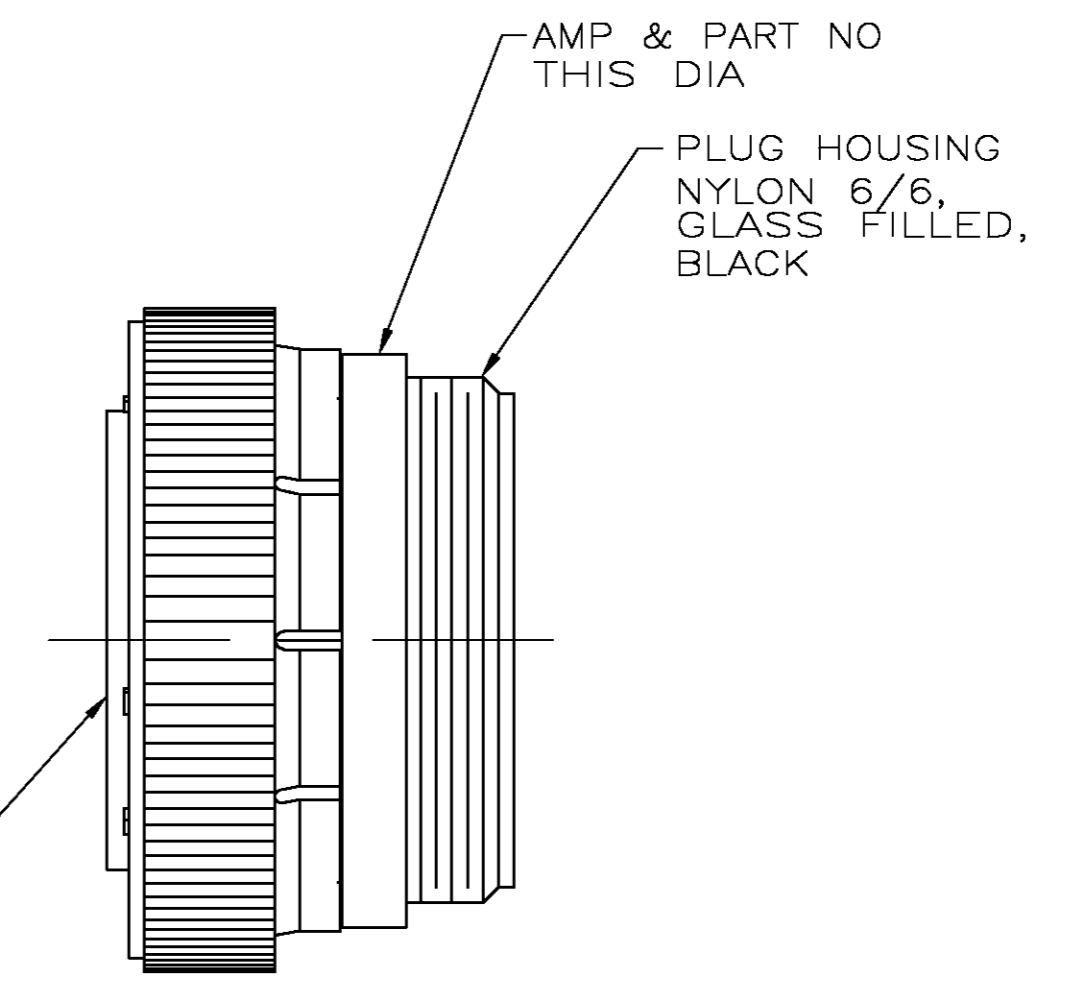
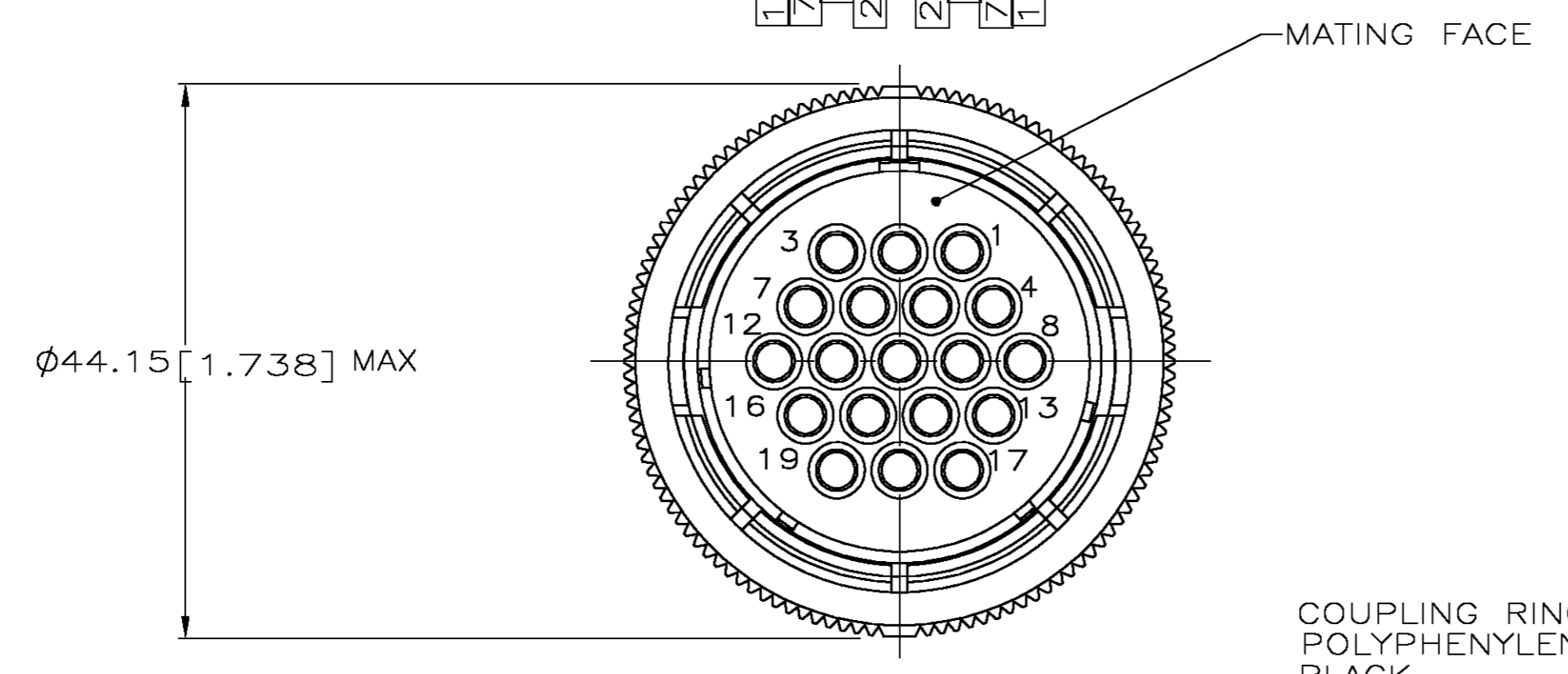


THIS DRAWING IS UNPUBLISHED. RELEASED FOR PUBLICATION  
 © COPYRIGHT BY TYCO ELECTRONICS CORPORATION. ALL RIGHTS RESERVED.

LOC		DIST		REVISIONS			
P	LTR	DESCRIPTION		DATE	DWN	APVD	
FT	0	G		REVISED PER 0G3B-0207-04	3/10/04	SS	SH



(-2 ONLY)



(-1 & -3 ONLY)

211770-3	
3 211770-2	
SUPERSEDED BY -2	211700-1
PART NUMBER	

- NOTES:**
- CONTACT CAVITIES IDENTIFIED BY CHARACTERS ON FRONT AND REAR FACES OF CONNECTOR.
  - CONNECTOR WILL ACCEPT (19) MULTIMATE SOCKET CONTACTS.
  - SPECIAL CAVITY DIMENSIONAL FEATURES.

THIS DRAWING IS A CONTROLLED DOCUMENT.		DWN S. RIDGLEY BG 31 JUL 90	Tyco Electronics Corporation	
DIMENSIONS: mm		CHK R. STONE 26 APR 91	Harrisburg, Pa 17105-3608	
TOLERANCES UNLESS OTHERWISE SPECIFIED:		APVD K. BEAVER 03 APR 91	NAME	
0 PLC ± -		PRODUCT SPEC	108-10024	
1 PLC ± -		APPLICATION SPEC	-	
2 PLC ± -		WEIGHT	-	
3 PLC ± -		CUSTOMER DRAWING	SCALE 2:1 SHEET 1 OF 1 REV G	
4 PLC ± -		FINISH	-	
ANGLES ± -				
MATERIAL SEE CALLOUT			SIZE A2 CAGE CODE 00779 DRAWING NO C=211770 RESTRICTED TO -	